

Compact Multi-pole SPD
SafeBloc B(R) 37.5 (3+0) TCG
 Class I • Class II • Type 1 • Type 2



Location of Use: Main Distribution Boards
 Network Systems: TN-C
 Mode of Protection: L - PEN
 Surge Ratings: $I_{imp} = 12.5 \text{ kA (10/350}\mu\text{s)}$
 $I_n = 20 \text{ kA (8/20}\mu\text{s)}$
 IEC/EN Category: Class I, II / Type 1, 2
 Protective Elements: High Energy MOV and GDT
 Safety: High TOV Immunity
 Leakage Current: No Leakage Current
 Housing: Compact Design
 Compliance: IEC 61643-11:2011
 EN 61643-11:2012

Technical Data

SafeBloc B(R) 37.5/xxx (3+0) TCG

150

275

Electrical

Nominal AC Voltage (50/60 Hz)	U_o	120V	230V
Maximum Continuous Operating Voltage (AC)	U_c	150V	275V
Nominal Discharge Current (8/20 μs)	I_n		20 kA
Maximum Discharge Current (8/20 μs)	I_{max}		50 kA
Impulse Discharge Current (10/350 μs)	I_{imp}		12.5 kA
Total Discharge Current (10/350 μs)	I_{total}		37.5 kA
Specific Energy	W/R		39 kJ/ Ω
Charge	Q		6.25 As
Voltage Protection Level	U_p	< 1.2 kV	< 1.5 kV
Response Time	t_A		< 25 ns
Back-Up Fuse (if mains > 250A)			250 A gG
Short-Circuit Current Rating (AC)	I_{SCCR}		50 kA
TOV withstand 5s	U_T	228V	438V
Number of Ports			1

Mechanical & Environmental

Temperature Range	T_a	-40 °F to +185 °F [-40 °C to +85 °C]	
Permissible Humidity	RH	5%...95%	
Terminal Screw Torque	M_{max}	26.5 lbf-in [3.0 Nm]	
Conductor Cross Section (max)		2 AWG (Solid, Stranded) / 4 AWG (Flexible) 35mm ² (Solid, Stranded) / 25mm ² (Flexible)	
Mounting		35 mm DIN Rail, EN 60715	
Degree of Protection		IP 20	
Housing Material		Thermoplastic: Extinguishing Degree UL 94 V-0	
Thermal Protection		Yes	
Fault Indication		Red Flag	
Remote Contacts (RC)		Optional	
RC Switching Capacity		AC: 250V/0.5A; 125V/3A	
RC Terminal Cross Section (max)		1.5mm ² (Solid) / 16 AWG (Solid)	
RC Terminal Screw Torque	M_{max}	2.2 lbf-in [0.25 Nm]	

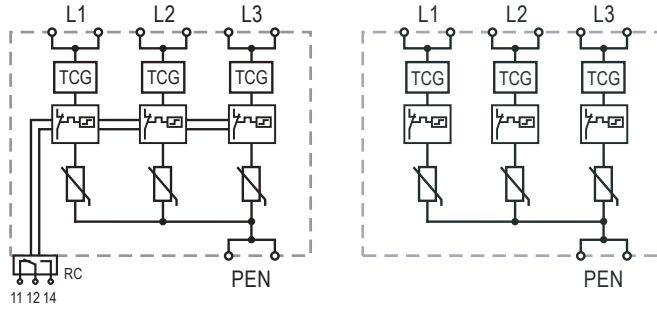
Order Information

Order Code		150	275
SafeBloc B 37.5/xxx (3+0) TCG		54.0513	54.0515
SafeBloc BR 37.5/xxx (3+0) TCG (with remote contacts)		54.0514	54.0516

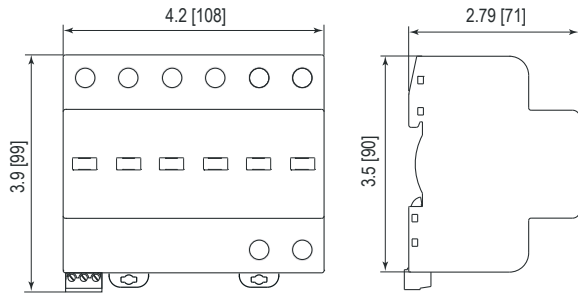
Internal Configuration

Legend

- L Line
- PEN Combined Protective Earth and Neutral
- RC Remote Contacts Optional
- TCG Thermal Control Function with No Leakage



Dimensions & Packaging [mm]



Dimensions & Packaging			
SafeBloc B 37.5/xxx (3+0) TCG		150	275
Single Unit Weight	pounds [grams]	.947 [430]	1.168 [530]
Single Unit DIN 43880 Dimension		6 TE	
Packaging Dimensions (H×W×L)		4.2 × 3 × 4.4" [109 × 77 × 114 mm]	
Minimum Order Quantity		2 Units	
SafeBloc BR 37.5/xxx (3+0) TCG		150	275
Single Unit Weight	pounds [grams]	.970 [440]	1.190 [540 g]
Single Unit DIN 43880 Dimension		6 TE	
Packaging Dimensions (H×W×L)		4.2 × 3 × 4.4" [109 × 77 × 114 mm]	
Minimum Order Quantity		2 Units	

inches
[mm]

Information contained in this document is subject to change at any time without notice.

