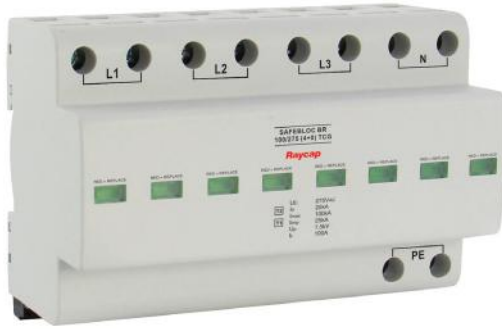


Compact Multi-pole SPD  
**SafeBloc B(R) 100 (4+0) TCG**  
 Class I • Class II • Type 1 • Type 2



Location of Use: Main Distribution Boards  
 Network Systems: TN-S  
 Mode of Protection: L - PE, N - PE  
 Surge Ratings:  $I_{imp} = 25 \text{ kA (10/350}\mu\text{s)}$   
 $I_n = 25 \text{ kA (8/20}\mu\text{s)}$   
 IEC/EN Category: Class I, II / Type 1, 2  
 Protective Elements: High Energy MOV and GDT  
 Safety: High TOV Immunity  
 Leakage Current: No Leakage Current  
 Housing: Compact Design  
 Compliance: IEC 61643-11:2011  
 EN 61643-11:2012

**Technical Data**

**SafeBloc B(R) 100/xxx (4+0) TCG**

**150**

**275**

**Electrical**

Nominal AC Voltage (50/60 Hz)	$U_o$	120V	230V
Maximum Continuous Operating Voltage (AC)	$U_c$	150V	275V
Nominal Discharge Current (8/20 $\mu\text{s}$ )	$I_n$		25 kA
Maximum Discharge Current (8/20 $\mu\text{s}$ )	$I_{max}$		100 kA
Impulse Discharge Current (10/350 $\mu\text{s}$ )	$I_{imp}$		25 kA
Total Discharge Current (10/350 $\mu\text{s}$ )	$I_{total}$		100 kA
Specific Energy	W/R		156 kJ/ $\Omega$
Charge	Q		12.5 As
Voltage Protection Level	$U_p$	< 1.2 kV	< 1.5 kV
Response Time	$t_A$		< 25 ns
Back-Up Fuse (if mains > 250 A)			250 A gG
Short-Circuit Current Rating (AC)	$I_{SCCR}$		50 kA
TOV withstand 5s	$U_T$	228	438V
Number of Ports			1

**Mechanical & Environmental**

Temperature Range	$T_a$	-40 °F to +185 °F [-40 °C to +85 °C]	
Permissible Humidity	RH	5%...95%	
Terminal Screw Torque	$M_{max}$	26.5 lbf-in [3.0 Nm]	
Conductor Cross Section (max)		2 AWG (Solid, Stranded) / 4 AWG (Flexible) 35mm <sup>2</sup> (Solid, Stranded) / 25mm <sup>2</sup> (Flexible)	
Mounting		35 mm DIN Rail, EN 60715	
Degree of Protection		IP 20	
Housing Material		Thermoplastic: Extinguishing Degree UL 94 V-0	
Thermal Protection		Yes	
Fault Indication		Red Flag	
Remote Contacts (RC)		Optional	
RC Switching Capacity		AC: 250V/0.5A; 125V/3A	
RC Terminal Cross Section (max)		1.5mm <sup>2</sup> (Solid) / 16 AWG (Solid)	
RC Terminal Screw Torque	$M_{max}$	2.2 lbf-in [0.25 Nm]	

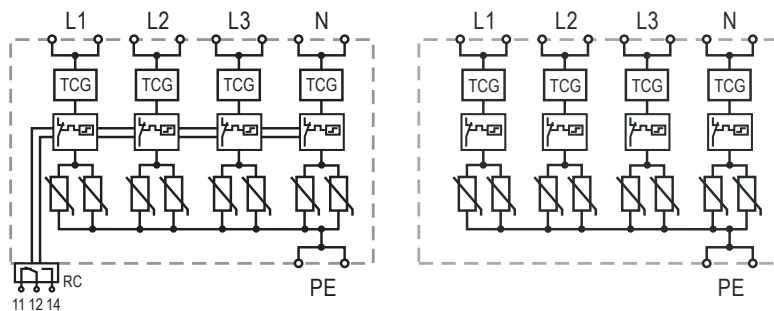
**Order Information**

Order Code	<b>150</b>	<b>275</b>
SafeBloc B 100/xxx (4+0) TCG	54.0556	54.0558
SafeBloc B(R) 100/xxx (4+0) TCG (with remote contacts)	54.0557	54.0559

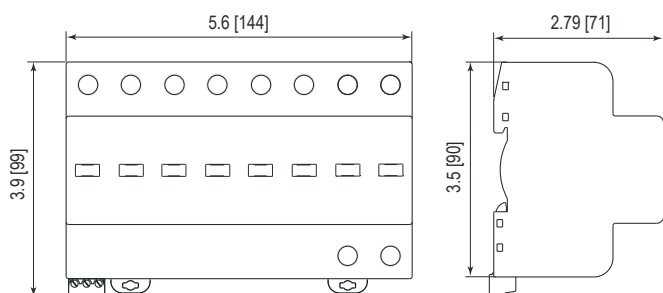
Internal Configuration

Legend

- L Line
- N Neutral
- PE Protective Earth
- RC Remote Contacts Optional
- TCG Thermal Control Function with No Leakage



Dimensions & Packaging [mm]



Dimensions & Packaging

		150	275
<b>SafeBloc B 100/xxx (4+0) TCG</b>			
Single Unit Weight	pounds [grams]	2.292 [1040]	2.733 [1240]
Single Unit DIN 43880 Dimension		8 TE	
Packaging Dimensions (H×W×L)		4.2 × 3 × 5.8" [109 × 77 × 148mm]	
Minimum Order Quantity		2 Units	

		150	275
<b>SafeBloc BR 100/xxx (4+0) TCG</b>			
Single Unit Weight	pounds [grams]	2.325 [1055]	2.766 [1255]
Single Unit DIN 43880 Dimension		8 TE	
Packaging Dimensions (H×W×L)		4.2 × 3 × 5.8" [109 × 77 × 148mm]	
Minimum Order Quantity		2 Units	

inches  
[mm]

Information contained in this document is subject to change at any time without notice.

