

Compact Single Pole SPD
ProBloc B(R) 12.5 (1+0)
 Class I • Class II • Type 1 • Type 2



Location of Use: Main Distribution Boards
 Network Systems: TN-S, TN-C, TT (only L-N)
 Mode of Protection: L-PE, N-PE, L-PEN, L-N
 Surge Ratings: $I_{imp} = 12.5 \text{ kA (10/350}\mu\text{s)}$
 $I_n = 20 \text{ kA (8/20}\mu\text{s)}$
 IEC/EN Category: Class I, II / Type 1, 2
 Protective Elements: High Energy MOV
 Housing: Compact Design
 Compliance: IEC 61643-11:2011
 EN 61643-11:2012

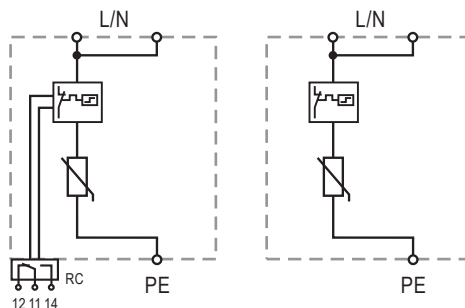
Technical Data

ProBloc B(R) 12.5/xxx (1+0)		150	275	320	440
Electrical					
Nominal AC Voltage (50/60 Hz)	U_o	120V	230V	230V	230V
Maximum Continuous Operating Voltage (AC)	U_c	150V	275V	320V	440V
Nominal Discharge Current (8/20 μs)	I_n			20 kA	
Maximum Discharge Current (8/20 μs)	I_{max}			50 kA	
Impulse Discharge Current (10/350 μs)	I_{imp}			12.5 kA	
Specific Energy	W/R			39 kJ/ Ω	
Charge	Q			6.25 As	
Voltage Protection Level	U_p	< 1.0 kV	< 1.5 kV	< 1.5 kV	< 1.9 kV
Response Time	t_A			< 25 ns	
Back-Up Fuse (if mains > 250 A)				250 A gG	
Short-Circuit Current Rating (AC)	I_{SCCR}			50 kA	
TOV withstand 5s	U_T	174V	335V	335V	585V
Number of Ports			1		
Mechanical & Environmental					
Temperature Range	T_a	-40 °F to +185 °F [-40 °C to +85 °C]			
Permissible Humidity	RH	5%...95%			
Terminal Screw Torque	M_{max}	26.5 lbf-in [3.0 Nm]			
Conductor Cross Section (max)		2 AWG (Solid, Stranded) / 4 AWG (Flexible)			
		35mm ² (Solid, Stranded) / 25mm ² (Flexible)			
Mounting		35 mm DIN Rail, EN 60715			
Degree of Protection		IP 20			
Housing Material		Thermoplastic: Extinguishing Degree UL 94 V-0			
Thermal Protection		Yes			
Fault Indication		Red Flag			
Remote Contacts (RC)		Optional			
RC Switching Capacity		AC: 250V/0.5 A; 125V/3 A			
RC Terminal Cross Section (max)		1.5mm ² (Solid) / 16 AWG (Solid)			
RC Terminal Screw Torque	M_{max}	2.2 lbf-in [0.25 Nm]			
Order Information					
Order Code		150	275	320	440
ProBloc B 12.5/xxx (1+0)		56.0500	56.0502	56.0504	56.0508
ProBloc BR 12.5/xxx (1+0) (with remote contacts)		56.0501	56.0503	56.0505	56.0509

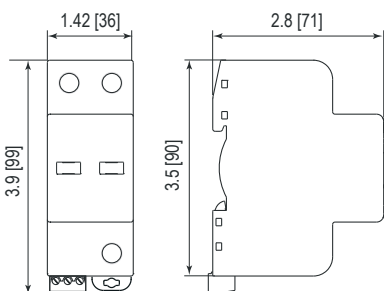
Internal Configuration

Legend

- L Line
- N Neutral
- PE Protective Earth
- RC Remote Contacts Optional



Dimensions & Packaging [mm]



Dimensions & Packaging

		150	275	320	440
ProBloc B 12.5/xxx (1+0)					
Single Unit Weight	pounds	.330	.440	.440	.661
	grams	150	200	200	300
Single Unit DIN 43880 Dimension		2 TE			
Packaging Dimensions (H x W x L)		4.2 x 3 x 1.6" [109 x 77 x 42mm]			
Minimum Order Quantity		7 Units			
ProBloc BR 12.5/xxx (1+0)					
Single Unit Weight	pounds	.341	.451	.451	.672
	grams	155	205	205	305
Single Unit DIN 43880 Dimension		2 TE			
Packaging Dimensions (H x W x L)		4.2 x 3 x 1.6" [109 x 77 x 42mm]			
Minimum Order Quantity		7 Units			

inches
[mm]

Information contained in this document is subject to change at any time without notice.

