

Compact Multi-pole SPD  
**ProBloc B(R) 50 (4+0)**  
 Class I • Class II • Type 1 • Type 2



Location of Use: Main Distribution Boards  
 Network Systems: TN-S  
 Mode of Protection: L-PE, N-PE  
 Surge Ratings:  $I_{imp} = 12.5 \text{ kA (10/350}\mu\text{s)}$   
 $I_n = 20 \text{ kA (8/20}\mu\text{s)}$   
 IEC/EN Category: Class I, II / Type 1, 2  
 Protective Elements: High Energy MOV  
 Housing: Compact Design  
 Compliance: IEC 61643-11:2011  
 EN 61643-11:2012

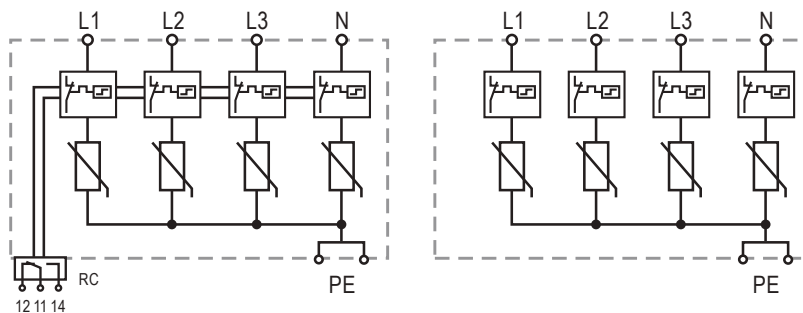
**Technical Data**

ProBloc B(R) 50/xxx (4+0)		150	275	320	440
<b>Electrical</b>					
Nominal AC Voltage (50/60 Hz)	$U_o$	120V	230V	230V	230V
Maximum Continuous Operating Voltage (AC)	$U_c$	150V	275V	320V	440V
Nominal Discharge Current (8/20 $\mu\text{s}$ )	$I_n$			20 kA	
Maximum Discharge Current (8/20 $\mu\text{s}$ )	$I_{max}$			50 kA	
Impulse Discharge Current (10/350 $\mu\text{s}$ )	$I_{imp}$			12.5 kA	
Total Discharge Current (10/350 $\mu\text{s}$ )	$I_{total}$			50 kA	
Specific Energy	W/R			39 kJ/ $\Omega$	
Charge	Q			6.25 As	
Voltage Protection Level	$U_p$	< 1.0 kV	< 1.5 kV	< 1.5 kV	< 1.9 kV
Response Time	$t_A$			< 25 ns	
Back-Up Fuse (if mains > 250 A)				250 A gG	
Short-Circuit Current Rating (AC)	$I_{SCCR}$			50 kA	
TOV withstand 5s	$U_T$	174V	335V	335V	585V
Number of Ports				1	
<b>Mechanical &amp; Environmental</b>					
Temperature Range	$T_a$	-40 °F to +185 °F [-40 °C to +85 °C]			
Permissible Humidity	RH	5%...95%			
Terminal Screw Torque	$M_{max}$	26.5 lbf-in [3.0 Nm]			
Conductor Cross Section (max)		2 AWG (Solid, Stranded) / 4 AWG (Flexible) 35mm <sup>2</sup> (Solid, Stranded) / 25mm <sup>2</sup> (Flexible)			
Mounting		35 mm DIN Rail, EN 60715			
Degree of Protection		IP 20			
Housing Material		Thermoplastic: Extinguishing Degree UL 94 V-0			
Thermal Protection		Yes			
Fault Indication		Red Flag			
Remote Contacts (RC)		Optional			
RC Switching Capacity		AC: 250V/0.5A; 125V/3A			
RC Terminal Cross Section (max)		1.5mm <sup>2</sup> (Solid) / 16 AWG (Solid)			
RC Terminal Screw Torque	$M_{max}$	2.2 lbf-in [0.25 Nm]			
<b>Order Information</b>					
Order Code		150	275	320	440
ProBloc B 50/xxx (4+0)		56.0532	56.0534	56.0536	56.0540
ProBloc BR 50/xxx (4+0) (with remote contacts)		56.0533	56.0535	56.0537	56.0541

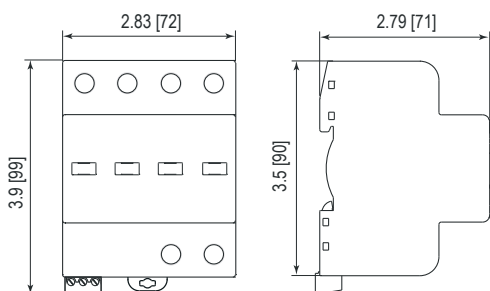
Internal Configuration

Legend

- L Line
- N Neutral
- PE Protective Earth
- RC Remote Contacts Optional



Dimensions & Packaging [mm]



Dimensions & Packaging

		150	275	320	440
<b>ProBloc B 50/xxx (4+0)</b>					
Single Unit Weight	pounds	1.212	1.521	1.521	1.631
	grams	550	590	590	740
Single Unit DIN 43880 Dimension		4 TE			
Packaging Dimensions (H x W x L)		4.2 x 3 x 3.1" [109 x 77 x 80 mm]			
Minimum Order Quantity		3 Units			
<b>ProBloc BR 50/xxx (4+0)</b>					
Single Unit Weight	pounds	1.234	1.234	1.322	1.653
	grams	560	560	600	750
Single Unit DIN 43880 Dimension		4 TE			
Packaging Dimensions (H x W x L)		4.2 x 3 x 3.1" [109 x 77 x 80 mm]			
Minimum Order Quantity		3 Units			

inches  
[mm]

Information contained in this document is subject to change at any time without notice.

