

Compact Multi-pole SPD
ProBloc B(R) 25 (1+1)
 Class I • Class II • Type 1 • Type 2



Location of Use: Main Distribution Boards
 Network Systems: TT
 Mode of Protection: L - N, N-PE
 Surge Ratings: $I_{imp} = 12.5 \text{ kA} / 50 \text{ kA} (10/350 \mu\text{s})$
 $I_n = 20 \text{ kA} / 50 \text{ kA} (8/20 \mu\text{s})$
 IEC/EN Category: Class I, II / Type 1, 2
 Protective Elements: High Energy MOV and GDT
 Housing: Compact Design
 Compliance: IEC 61643-11:2011
 EN 61643-11:2012

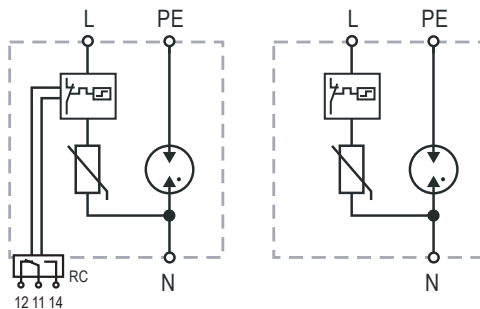
Technical Data

ProBloc B(R) 25/xxx (1+1)		150	275	320
Electrical				
Nominal AC Voltage (50/60Hz)	U_o	120V	230V	230V
Maximum Continuous Operating Voltage (AC)	(L-N) U_c	150V	275V	320V
	(N-PE) U_c		255V	
Nominal Discharge Current (8/20 μs)	(L-N)/(N-PE) I_n		20 kA / 50 kA	
Maximum Discharge Current (8/20 μs)	(L-N)/(N-PE) I_{max}		50 kA / 100 kA	
Impulse Discharge Current (10/350 μs)	(L-N)/(N-PE) I_{imp}		12.5 kA / 50 kA	
Total Discharge Current (10/350 μs)	I_{total}		25 kA	
Specific Energy	(L-N)/(N-PE) W/R		39 kJ/ Ω / 625 kJ/ Ω	
Charge	(L-N)/(N-PE) Q		6.25 As / 25 As	
Voltage Protection Level	(L-N)/(N-PE) U_p	< 1.0 kV / < 1.5 kV	< 1.5 kV / < 1.5 kV	< 1.5 kV / < 1.5 kV
Follow Current Interrupt Rating	((N-PE) I_{fi})		100 A _{RMS}	
Response Time	(L-N)/(N-PE) t_A		< 25 ns / < 100 ns	
Back-Up Fuse (if mains > 250 A)			250 A gG	
Short-Circuit Current Rating (AC)	I_{SCCR}		50 kA	
TOV withstand 5s	(L-N) U_T	174V	335V	335V
TOV withstand 200ms	(N-PE) U_T		1200V / 300 A	
Number of Ports			1	
Mechanical & Environmental				
Temperature Range	T_a	-40 °F to +185 °F [-40 °C to +85 °C]		
Permissible Humidity	RH	5%...95%		
Terminal Screw Torque	M_{max}	26.5 lbf-in [3.0 Nm]		
Conductor Cross Section (max)		2 AWG (Solid, Stranded) / 4 AWG (Flexible)		
		35mm ² (Solid, Stranded) / 25mm ² (Flexible)		
Mounting		35 mm DIN Rail, EN 60715		
Degree of Protection		IP 20		
Housing Material		Thermoplastic: Extinguishing Degree UL 94 V-0		
Thermal Protection	(L-N)/(N-PE)	Yes/No		
Fault Indication	(L-N)/(N-PE)	Red Flag/No		
Remote Contacts (RC)		Optional		
RC Switching Capacity		AC: 250V/0.5A; 125V/3A		
RC Terminal Cross Section (max)		1.5mm ² (Solid) / 16 AWG (Solid)		
RC Terminal Screw Torque	M_{max}	2.2 lbf-in [0.25 Nm]		
Order Information				
Order Code		150	275	320
ProBloc B 25/xxx (1+1)		56.0542	56.0544	56.0546
ProBloc BR 25/xxx (1+1) (with remote contacts)		56.0543	56.0545	56.0547

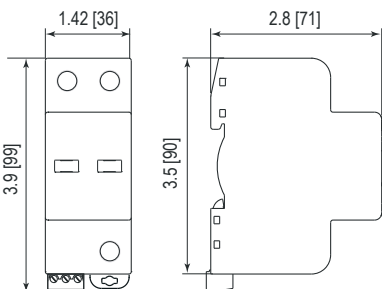
Internal Configuration

Legend

- L Line
- N Neutral
- PE Protective Earth
- RC Remote Contacts Optional



Dimensions & Packaging [mm]



Dimensions & Packaging			
ProBloc B 25/xxx (1+1)			
Single Unit Weight	pounds	150	275
	grams	110	150
Single Unit DIN 43880 Dimension		2 TE	
Packaging Dimensions (H x W x L)		4.2 x 3 x 1.6" [109 x 77 x 42mm]	
Minimum Order Quantity		7 Units	
ProBloc BR 25/xxx (1+1)			
Single Unit Weight	pounds	150	275
	grams	115	155
Single Unit DIN 43880 Dimension		2 TE	
Packaging Dimensions (H x W x L)		4.2 x 3 x 1.6" [109 x 77 x 42mm]	
Minimum Order Quantity		7 Units	

inches
[mm]

Information contained in this document is subject to change at any time without notice.

