

Compact Multi-pole SPD
ProBloc B(R) 50 (2+0)
 Class I • Class II • Type 1 • Type 2



Location of Use: Main Distribution Boards
 Network Systems: TN-S
 Mode of Protection: L - PE, N - PE
 Surge Ratings: $I_{imp} = 25 \text{ kA (10/350 } \mu\text{s)}$
 $I_n = 25 \text{ kA (8/20 } \mu\text{s)}$
 IEC/EN Category: Class I, II / Type 1, 2
 Protective Elements: High Energy MOV
 Housing: Compact Design
 Compliance: IEC 61643-11:2011
 EN 61643-11:2012

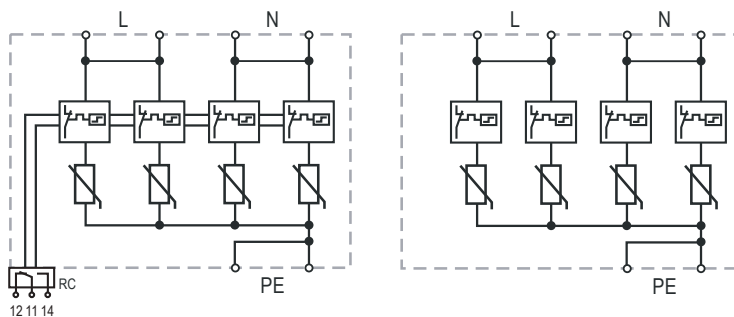
Technical Data

ProBloc B(R) 50/xxx (2+0)		150	275	320	440
Electrical					
Nominal AC Voltage (50/60 Hz)	U_o	120V	230V	230V	230V
Maximum Continuous Operating Voltage (AC)	U_c	150V	275V	320V	440V
Nominal Discharge Current (8/20 μs)	I_n			25 kA	
Maximum Discharge Current (8/20 μs)	I_{max}			100 kA	
Impulse Discharge Current (10/350 μs)	I_{imp}			25 kA	
Total Discharge Current (10/350 μs)	I_{total}			50 kA	
Specific Energy	W/R			156 kJ/ Ω	
Charge	Q			12.5 As	
Voltage Protection Level	U_p	< 1.0 kV	< 1.5 kV	< 1.5 kV	< 1.9 kV
Response Time	t_A			< 25 ns	
Back-Up Fuse (if mains > 250 A)				250 A gG	
Short-Circuit Current Rating (AC)	I_{SCCR}			50 kA	
TOV withstand 5s	U_T	174V	335V	335V	585V
Number of Ports				1	
Mechanical & Environmental					
Temperature Range	T_a	-40 °F to +185 °F [-40 °C to +85 °C]			
Permissible Humidity	RH	5%...95%			
Terminal Screw Torque	M_{max}	26.5 lbf-in [3.0 Nm]			
Conductor Cross Section (max)		2 AWG (Solid, Stranded) / 4 AWG (Flexible) 35mm ² (Solid, Stranded) / 25mm ² (Flexible)			
Mounting		35 mm DIN Rail, EN 60715			
Degree of Protection		IP 20			
Housing Material		Thermoplastic: Extinguishing Degree UL 94 V-0			
Thermal Protection		Yes			
Fault Indication		Red Flag			
Remote Contacts (RC)		Optional			
RC Switching Capacity		AC: 250V/0.5A; 125V/3A			
RC Terminal Cross Section (max)		1.5mm ² (Solid) / 16 AWG (Solid)			
RC Terminal Screw Torque	M_{max}	2.2 lbf-in [0.25 Nm]			
Order Information					
Order Code		150	275	320	440
ProBloc B 50/xxx (2+0)		56.0572	56.0574	56.0576	56.0580
ProBloc BR 50/xxx (2+0) (with remote contacts)		56.0573	56.0575	56.0577	56.0581

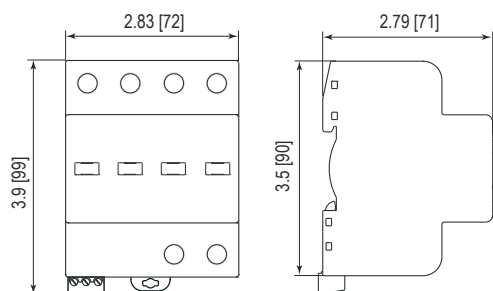
Internal Configuration

Legend

- L Line
- N Neutral
- PE Protective Earth
- RC Remote Contacts Optional



Dimensions & Packaging [mm]



Dimensions & Packaging

		150	275	320	440
ProBloc B 50/xxx (2+0)					
Single Unit Weight	pounds	1.014	1.234	1.234	1.499
	grams	460	560	560	680
Single Unit DIN 43880 Dimension		4 TE			
Packaging Dimensions (H x W x L)		4.2 x 3 x 3.1" [109 x 77 x 80 mm]			
Minimum Order Quantity		3 Units			
ProBloc BR 50/xxx (2+0)					
Single Unit Weight	pounds	1.036	1.256	1.256	1.521
	grams	470	570	570	690
Single Unit DIN 43880 Dimension		4 TE			
Packaging Dimensions (H x W x L)		4.2 x 3 x 3.1" [109 x 77 x 80 mm]			
Minimum Order Quantity		3 Units			

inches
[mm]

Information contained in this document is subject to change at any time without notice.

