

Pluggable Multi-Pole SPD
ProTec T1HS 3+0
 Class I • Class II • Type 1 • Type 2



Location of Use: Main Distribution Boards
 Network Systems: TN-C
 Mode of Protection: L-PEN
 Surge Ratings: $I_{imp} = 25 \text{ kA (10/350}\mu\text{s)}$
 $I_n = 25\text{kA (8/20}\mu\text{s)}$
 IEC/EN Category: Class I+II / Type 1+2
 Protective Elements: GDT (L-N) in series with High Energy MOV
 Housing: Pluggable Design
 Compliance: IEC 61643-11:2011
 EN 61643-11:2012

Technical Data

ProTec T1HS-xxx-3+0(-R)

300

IEC Electrical

Nominal AC Voltage (50/60Hz)	U_o/U_n	240V
Maximum Continuous Operating Voltage (AC)	U_c	300V
Nominal Discharge Current (8/20 μs)	I_n	25kA
Maximum Discharge Current (8/20 μs)	I_{max}	65kA
Impulse Discharge Current (10/350 μs)	I_{imp}	25kA
Specific Energy	W/R	156.2 kJ/ Ω
Charge	Q	12.5 As
Voltage Protection Level	U_p	1500V
Rated Load Current	I_L	125 A
Response Time	t_A	$\leq 100 \text{ ns}$
Back-Up Fuse (max)		315 A gG
Short-Circuit Current Rating (AC)	I_{SCCR}	50kA
TOV Withstand 120min	U_T	442V
Number of Ports		1

Mechanical

Operating Temperature Range	T_a	-40 °F to +185 °F [-40 °C to +85 °C]
Permissible Operating Humidity	RH	5%...95%
Altitude		13123 ft [4000m]
Terminal Screw Torque	M_{max}	39.9 lbf-in [4.5Nm]
Conductor Cross Section (max)		2 AWG (Solid, Stranded) / 4 AWG (Flexible) 35 mm ² (Solid, Stranded) / 25 mm ² (Flexible)
Mounting		35 mm DIN Rail, EN 60715
Degree of Protection		IP 20
Housing Material		Thermoplastic: Extinguishing Degree UL 94 V-0
Thermal Protection		Yes
Operating State / Fault Indication		Green Flag / Not Green Flag
Remote Contacts (RC)		Optional
RC Switching Capacity		AC: 250V/1A, 125V/1 A; DC: 48V/0.5 A, 24V/0.5 A, 12V/0.5 A
RC Conductor Cross Section (max)		16 AWG (Solid) / 1.5 mm ² (Solid)

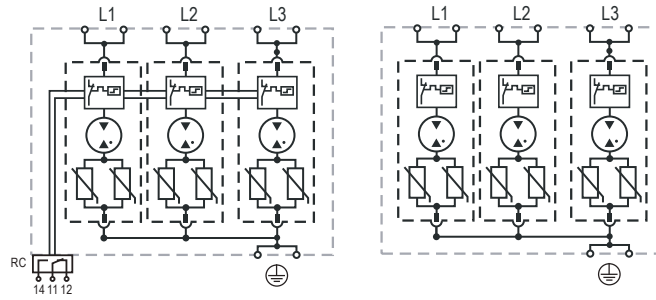
Order Information

Order Code	300
ProTec T1HS-xxx-3+0	59.0304
ProTec T1HS-xxx-3+0-R (with remote contacts)	59.0305
ProTec T1HS-xxx-P	59.0302

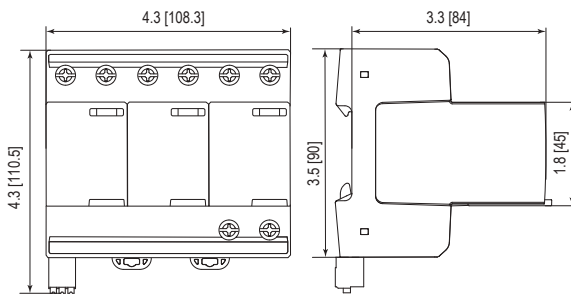
Internal Configuration

Legend

- L Line
- N Neutral
- ⊕ Protective Earth
- RC Remote Contacts Optional



Dimensions & Packaging



Dimensions & Packaging

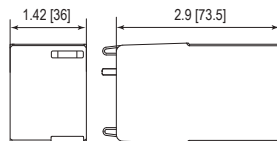
ProTec T1HS-xxx-3+0	300
Single Unit Weight	pounds [grams] 0.72 [330]
ProTec T1HS-xxx-3+0-R	300
Single Unit Weight	pounds [grams] 0.74 [337]
Single Unit DIN 43880 Dimension	6 TE
Packaging Dimensions (HxWxL)	4.3 x 4.5 x 13.8" [109 x 115 x 352 mm]
Minimum Order Quantity	2 Units

Plug Internal Configuration

ProTec T1HS-xxx-P



Dimensions & Packaging



Dimensions & Packaging

ProTec T1HS-xxx-P	300
Single Unit Weight	pounds [grams] 0.34 [155]
Single Unit DIN 43880 Dimension	2 TE
Packaging Dimensions (HxWxL)	4.3 x 4.5 x 13.8" [109 x 115 x 352 mm]
Minimum Order Quantity	14 Units

inches
[mm]

Information contained in this document is subject to change at any time without notice.

