

Pluggable Single-Pole SPD  
**ProTec T2 1+0**  
 Class II • Type 2 • Type 1CA



Location of Use: Sub-Distribution Boards  
 Network Systems: TN-S, TN-C, TT (only L-N)  
 Mode of Protection: L-PE, N-PE (only TN-S), L-PEN, L-N  
 Surge Ratings:  $I_n = 20\text{ kA (8/20}\mu\text{s)}$   
 IEC/EN/UL Category: Class II / Type 2 / Type 1CA  
 Protective Elements: High Energy MOV  
 Housing: Pluggable Design  
 Compliance: IEC 61643-11:2011  
 EN 61643-11:2012  
 UL 1449, 4th edition

**Technical Data**

ProTec T2-xxx-1+0(-R)		75	150	300	350	480	750
<b>IEC Electrical</b>							
Nominal AC Voltage (50/60Hz)	$U_o/U_n$	60V	120V	240V	277V	400V	600V
Maximum Continuous Operating Voltage (AC)	$U_c$	75V	150V	300V	350V	480V	750V
Nominal Discharge Current (8/20 $\mu\text{s}$ )	$I_n$	20 kA	20 kA	20 kA	20 kA	20 kA	20 kA
Maximum Discharge Current (8/20 $\mu\text{s}$ )	$I_{max}$	50 kA	50 kA	50 kA	50 kA	50 kA	35 kA
Voltage Protection Level	$U_p$	800V	1250V	1500V	1750V	2300V	3400V
Response Time	$t_A$	< 25ns					
Back-Up Fuse (max)		315 A / 250 A gG					
Short-Circuit Current Rating (AC)	$I_{SCCR}$	25 kA / 50 kA					
TOV Withstand 5s	$U_T$	114V	229V	337V	403V	581V	871V
TOV 120min	$U_T$	114V	229V	442V	529V	762V	1143V
	mode	Withstand	Withstand	Safe Fail	Safe Fail	Safe Fail	Safe Fail
Number of Ports		1					

<b>UL Electrical</b>							
Maximum Continuous Operating Voltage (AC)	MCOV	75V	150V	300V	350V	480V	750V
Voltage Protection Rating	VPR	330V	600V	900V	1000V	1500V	2500V
Nominal Discharge Current (8/20 $\mu\text{s}$ )	$I_n$	20 kA	20 kA	20 kA	20 kA	20 kA	20 kA
Short-Circuit Current Rating (AC)	SCCR	100 kA	200 kA	150 kA	200 kA	200 kA	200 kA

<b>Mechanical</b>							
Operating Temperature Range	$T_a$	-40 °F to +185 °F [-40 °C to +85 °C]					
Permissible Operating Humidity	RH	5%...95%					
Altitude		13123 ft [4000m]					
Terminal Screw Torque	$M_{max}$	39.9 lbf-in [4.5Nm]					
Conductor Cross Section (max)		2 AWG (Solid, Stranded) / 4 AWG (Flexible) 35 mm <sup>2</sup> (Solid, Stranded) / 25 mm <sup>2</sup> (Flexible)					
Mounting		35 mm DIN Rail, EN 60715					
Degree of Protection		IP 20					
Housing Material		Thermoplastic: Extinguishing Degree UL 94 V-0					
Thermal Protection		Yes					
Operating State / Fault Indication		Green Flag / Not Green Flag					
Remote Contacts (RC)		Optional					
RC Switching Capacity		AC: 250V/1A, 125V/1A; DC: 48V/0.5A, 24V/0.5A, 12V/0.5A					
RC Conductor Cross Section (max)		16 AWG (Solid) / 1.5 mm <sup>2</sup> (Solid)					

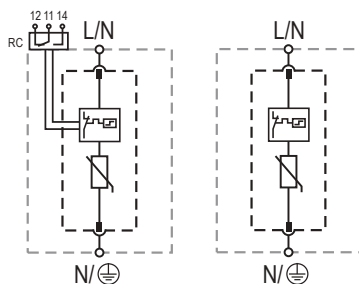
<b>Order Information</b>							
Order Code		75	150	300	350	480	750
ProTec T2-xxx-1+0		59.0069	59.0071	59.0073	59.0075	59.0077	59.0079
ProTec T2-xxx-1+0-R (with remote contacts)		59.0070	59.0072	59.0074	59.0076	59.0078	59.0080
ProTec T2-xxx-P		59.0063	59.0064	59.0065	59.0066	59.0067	59.0068

## ProTec T2 1+0

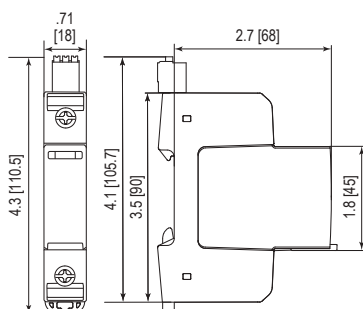
### Internal Configuration

#### Legend

- L Line
- N Neutral
- ⊕ Protective Earth
- RC Remote Contacts Optional



### Dimensions & Packaging

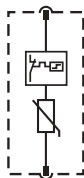


#### Dimensions & Packaging

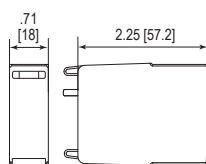
		75	150	300	350	480	750
Single Unit Weight	pounds	.258	.267	.283	.294	.305	.340
	grams	117	121	128	133	138	154
Single Unit Weight	pounds	.274	.283	.298	.309	.320	.355
	grams	124	128	135	140	145	161
Single Unit DIN 43880 Dimension		1 TE					
Packaging Dimensions (HxWxL)		4.3 x 4.5 x 13.8" [109 x 115 x 352 mm]					
Minimum Order Quantity		12 Units					

### Plug Internal Configuration

#### ProTec T2-xxx-P



### Dimensions & Packaging



#### Dimensions & Packaging

		75	150	300	350	480	750
Single Unit Weight	pounds	.111	.120	.135	.146	.157	.192
	grams	50	54	61	66	71	87
Single Unit DIN 43880 Dimension		1 TE					
Packaging Dimensions (HxWxL)		4.3 x 4.5 x 13.8" [109 x 115 x 352 mm]					
Minimum Order Quantity		28 Units					

inches  
[mm]

Information contained in this document is subject to change at any time without notice.



# Raycap

www.raycap.com

© 2017 Raycap All rights reserved.  
G29-00-398 171020