

Pluggable Single-Pole SPD
SafeTube T2 40 0+1
 Class II • Type 2 • Type 1CA



Location of Use: Sub-Distribution Boards
 Network Systems: TT, TN-S
 Mode of Protection: N-PE
 Surge Ratings: $I_n = 20\text{ kA}$ (8/20 μs)
 IEC/EN/UL Category: Class II / Type 2 / Type 1CA
 Protective Elements: High Energy MOV and GDT
 Housing: Pluggable Design
 Compliance: IEC 61643-11:2011
 EN 61643-11:2012
 UL 1449, 4th edition

Technical Data

SafeTube T2-xx 0+1(-R)

40

IEC Electrical

Nominal AC Voltage (50/60Hz)	U_o / U_n	0V
Maximum Continuous Operating Voltage	U_c	305V
Nominal Discharge Current (8/20 μs)	I_n	40 kA
Maximum Discharge Current (8/20 μs)	I_{max}	65 kA
Voltage Protection Level	U_p	1500V
Follow Current Interrupt Rating	I_{fi}	100 A _{RMS}
Response Time	t_A	< 100 ns
TOV Withstand 200ms	U_T	1200V
Number of Ports		1

UL Electrical

Maximum Continuous Operating Voltage (AC)	MCOV	305V
Voltage Protection Rating(N)	VPR	1000V
Nominal Discharge Current (8/20 μs)	I_n	20 kA

Mechanical

Operating Temperature Range	T_a	-40 °F to +185 °F [-40 °C to +85 °C]
Permissible Operating Humidity	RH	5%...95%
Altitude		13123 ft [4000m]
Terminal Screw Torque	M_{max}	39.9 lbf-in [4.5Nm]
Conductor Cross Section (max)		2 AWG (Solid, Stranded) / 4 AWG (Flexible) 35 mm ² (Solid, Stranded) / 25 mm ² (Flexible)
Mounting		35 mm DIN Rail, EN 60715
Degree of Protection		IP 20
Housing Material		Thermoplastic: Extinguishing Degree UL 94 V-0
Thermal Protection		Yes
Operating State / Fault Indication		Green Flag / Not Green Flag
Remote Contacts (RC)		Optional
RC Switching Capacity		AC: 250V/1A, 125V/1 A; DC: 48V/0.5A, 24V/0.5A, 12V/0.5A
RC Conductor Cross Section (max)		16 AWG (Solid) / 1.5 mm ² (Solid)

Order Information

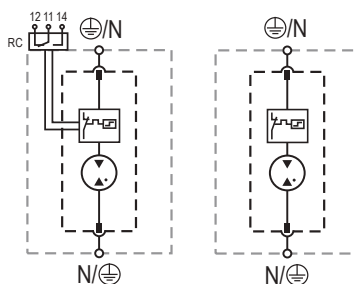
Order Code	40
SafeTube T2-xxx-0+1	59.0281
SafeTube T2-xxx-0+1-R (with remote contacts)	59.0337
SafeTube T2-40-P	59.0274

SafeTube T2 0+1

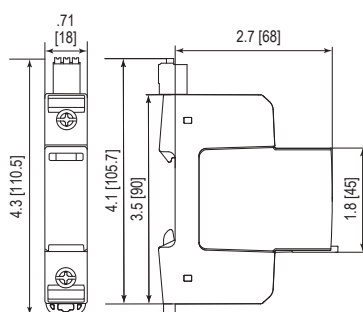
Internal Configuration

Legend

- L Line
- N Neutral
- ⊕ Protective Earth
- RC Remote Contacts Optional
- TC Thermal Control Function



Dimensions & Packaging

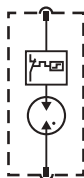


Dimensions & Packaging

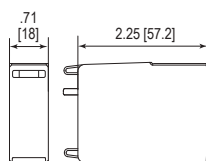
SafeTube T2-xxx-0+1		40
Single Unit Weight	pounds [grams]	.255 [116]
SafeTube T2-xxx-0+1-R		40
Single Unit Weight	pounds [grams]	.275 [125]
Single Unit DIN 43880 Dimension		1 TE
Packaging Dimensions (HxWxL)		4.3 × 4.5 × 13.8" [109 × 115 × 352 mm]
Minimum Order Quantity		12 Units

Plug Internal Configuration

SafeTube T2-xxx-P



Dimensions & Packaging



Dimensions & Packaging

SafeTube T2-40-P		40
Single Unit Weight	pounds [grams]	.093 [42]
Single Unit DIN 43880 Dimension		1 TE
Packaging Dimensions (HxWxL)		4.3 × 4.5 × 13.8" [109 × 115 × 352 mm]
Minimum Order Quantity		28 Units

inches
[mm]

Information contained in this document is subject to change at any time without notice.



Raycap

www.raycap.com

© 2017 Raycap All rights reserved.
G29-00-411 171020