

Pluggable Single-Pole SPD  
**ProTec T2-ADV 1+0**  
 Class II • Type 2 • Type 1CA



Location of Use: Sub-Distribution Boards  
 Network Systems: TN-S, TN-C, TT (only L-N)  
 Mode of Protection: L-PE, N-PE (only TN-S), L-PEN, L-N  
 Surge Ratings:  $I_n = 20\text{ kA (8/20 }\mu\text{s)}$   
 $I_{max} = 50\text{ kA (8/20 }\mu\text{s)}$   
 IEC/EN/UL Category: Class II / Type 2 / Type 1CA  
 Protective Elements: High Energy MOV  
 Housing: Pluggable Design  
 Compliance: IEC 61643-11:2011  
 EN 61643-11:2012  
 UL 1449, 4th edition

**Technical Data**

ProTec T2-ADV-xxx-1+0(-R)		75	150	300	350	480
<b>IEC Electrical</b>						
Nominal AC Voltage (50/60Hz)	$U_o/U_n$	60V	120V	240V	277V	400V
Maximum Continuous Operating Voltage (AC)	$U_c$	75V	150V	300V	350V	480V
Nominal Discharge Current (8/20 $\mu\text{s}$ )	$I_n$	20 kA	20 kA	20 kA	20 kA	20 kA
Maximum Discharge Current (8/20 $\mu\text{s}$ )	$I_{max}$	50 kA	50 kA	50 kA	50 kA	50 kA
Voltage Protection Level	$U_p$	600V	1000V	1300V	1700V	2000V
Response Time	$t_A$	< 25ns				
Back-Up Fuse (max)		160A gG				
Short-Circuit Current Rating (AC)	$I_{SCCR}$	50 kA				
TOV Withstand 5s	$U_T$	114V	229V	337V	403V	581V
TOV 120min	$U_T / \text{mode}$	114V/withstand	229V/withstand	442V/safe fail	528V/safe fail	762V/safe fail
Number of Ports		1				

<b>UL Electrical</b>						
Maximum Continuous Operating Voltage (AC)	MCOV	75V	150V	300V	350V	480V
Voltage Protection Rating	VPR	400V	600V	900V	1200V	1500V
Nominal Discharge Current (8/20 $\mu\text{s}$ )	$I_n$	20 kA	20 kA	20 kA	20 kA	20 kA
Short-Circuit Current Rating (AC)	SCCR	100 kA	200 kA	150 kA	200 kA	200 kA

<b>Mechanical</b>						
Operating Temperature Range	$T_a$	-40 °F to +185 °F [-40 °C to +85 °C]				
Permissible Operating Humidity	RH	5%...95%				
Altitude		13123 ft [4000m]				
Terminal Screw Torque	$M_{max}$	39.9 lbf-in [4.5Nm]				
Conductor Cross Section (max)		2 AWG (Solid, Stranded) / 4 AWG (Flexible) 35 mm <sup>2</sup> (Solid, Stranded) / 25 mm <sup>2</sup> (Flexible)				
Mounting		35 mm DIN Rail, EN 60715				
Degree of Protection		IP 20				
Housing Material		Thermoplastic: Extinguishing Degree UL 94 V-0				
Thermal Protection		Yes				
Operating State / Fault Indication		Green Flag / Not Green Flag				
Remote Contacts (RC)		Optional				
RC Switching Capacity		AC: 250V/1A, 125V/1A; DC: 48V/0.5A, 24V/0.5A, 12V/0.5A				
RC Conductor Cross Section (max)		16 AWG (Solid) / 1.5 mm <sup>2</sup> (Solid)				

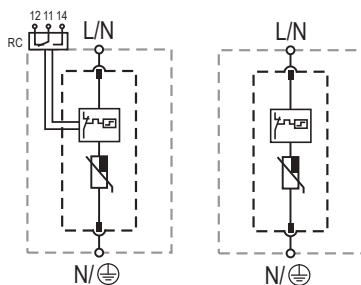
<b>Order Information</b>						
Order Code		75	150	300	350	480
ProTec T2-ADV-xxx-1+0		59.0208	59.0210	59.0212	59.0214	59.0216
ProTec T2-ADV-xxx-1+0-R (with remote contacts)		59.0209	59.0211	59.0213	59.0215	59.0217
ProTec T2-ADV-xxx-P		59.0202	59.0203	59.0204	59.0205	59.0206

## ProTec T2-ADV 1+0

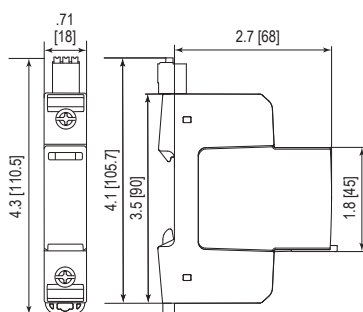
### Internal Configuration

#### Legend

- L Line
- N Neutral
- ⊕ Protective Earth
- RC Remote Contacts Optional



### Dimensions & Weights



#### Weights

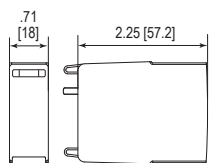
		75	150	300	350	480
<b>ProTec T2-ADV-xxx-1+0</b>	Single Unit Weight	pounds .266	.275	.291	.302	.304
		grams 121	125	132	137	144
<b>ProTec T2-ADV-xxx-1+0-R</b>	Single Unit Weight	pounds .283	.291	.306	.317	.328
		grams 128	132	139	144	149
Single Unit DIN 43880 Dimension		1 TE				
Packaging Dimensions (HxWxL)		4.3 x 4.5 x 13.8" [109 x 115 x 352 mm]				
Minimum Order Quantity		12 Units				

### Plug Internal Configuration

#### ProTec T2-ADV-xxx-P



### Dimensions & Weights



#### Weights

		75	150	300	350	480
<b>ProTec T2-ADV-xxx-P</b>	Single Unit Weight	pounds .120	.127	.143	.154	.165
		grams 54	58	65	70	75
Single Unit DIN 43880 Dimension		1 TE				
Packaging Dimensions (HxWxL)		4.3 x 4.5 x 13.8" [109 x 115 x 352 mm]				
Minimum Order Quantity		28 Units				

inches  
[mm]

Information contained in this document is subject to change at any time without notice.

