



IEC/EN/VDE Category: Class III/Type 3/C1/C2/C3
 Protection: Power & Data
 Voltages: ±5VDC (data), 230VAC (power)
 Maximum Operating Voltage: ±6VDC (data), 275VAC (power)
 Frequency Range: 100MHz, Cat 5 Compatible
 Surge Discharge Ratings: I_n : 300A per Line (data)
 I_n : 3kA L-N/L-PE (power)
 Enclosure: UTB In-line Patch, AC Power Outlet
 Termination: RJ45, Cat 5 Connectors (data)
 DIN 49 440-CE(7) III,
 DIN 49 441-CEE(7) IV (power)
 Housing: Compact Design
 Compliance: IEC/EN 61643-11, 61643-21

The RayDat NET 5 PS Series is intended to protect Local Area Networks (LAN) from overvoltage surges and electrostatic discharges created by switching transients in buildings. LAN systems are particularly prone to such disturbances because long cable lengths often behave like antennas to such atmospheric disturbances.

It provides protection to all 4 lines in the UTP as well as protection to a 230V AC power outlet. Equipotential equalization is provided between the LAN signal port and the AC power port.

Technical Data

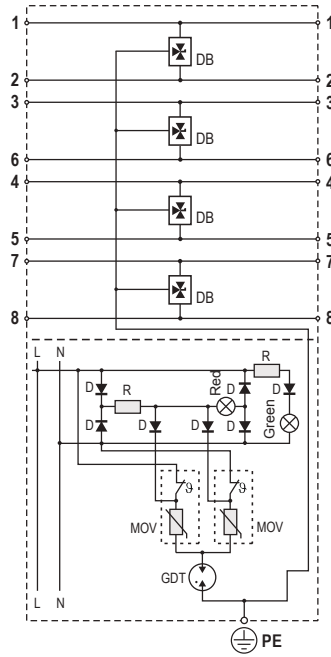
NET 5 PS		Power	Data
Electrical			
Type per IEC/EN 61643-11, 61643-21		Class III/Type 3/D	C1/C2/C3
Number of Protected Pairs			4 Pairs
Nominal Operating Voltage (DC)	U_n	230V AC / 50 Hz	5VDC
Maximum Continuous Operating Voltage (DC)	U_c	275V AC / 50 Hz	6VDC
Nominal Discharge Current (8/20 μ s)	I_n	(L(N)-PE, L-N) 3kA	300A (Line-Line)
Total Discharge Current (8/20 μ s)	I_{Total}	(L+N-PE) 10kA	1kA (Line-Ground)
Open Circuit Voltage of Combination Wave Generator	U_{oc}	(L(N)-PE, L-N) 6kV (L+N-PPE) 10kV	
Voltage Protection Level at I_n	U_p	(L-N) <1400V (L(N)-PE) <1750V	35V (Line-Line) 350V (Line-Ground)
Response Time Overvoltage Protection	t_A	(L-N) <25ns (L(N)-PE) <100ns	<1 ns
Cut-off Frequency	f_G		100 MHz
Backup Fuse		16A gL (needed when not present in network)	
Mechanical			
Temperature Range		-40 °C to +80 °C	
Connection Type		DIN 49 440-CE(7) III, DIN 49 441-CEE(7) IV, Grounding Contact	Input/Output: RJ45 Sockets
Degree of Protection IEC/EN 60529		IP 20	
Housing Material		Thermoplastic; Grey, Extinguishing Degree V-0	
Status Indicator		Disconnect Operation, Green & Red Light	
Order Information			
Order Code		NET 5 PS 121 277	

RayDat NET 5 PS

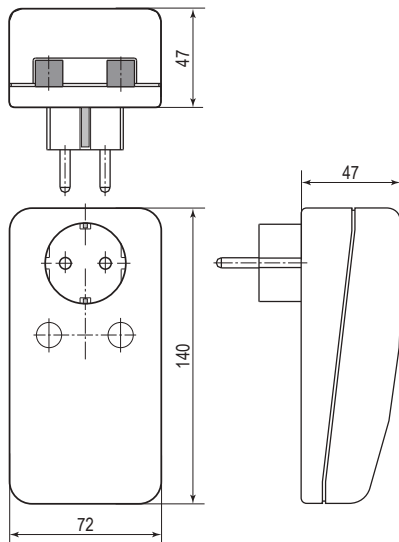
Internal Configuration

Legend

- D Diode
- DB Diode Block
- GDT Gas Discharge Tube
- MOV Metal Oxide Varistor
- R Resistor



Dimensions & Packaging



NET 5 PS

Dimensions

Weight per Unit	190g
Packaging Dimensions (Single Unit)	94 x 78 x 151 mm
Minimum Package Quantity	12 pieces