

SPD for Two Pair with Single Protection Mode  
**RayDat SLL-4 Series**  
**C1 • C3**



IEC/EN Category: C1/C3  
 Mode of Protection: Transverse  
 Voltages: 30V DC  
 Frequency Range: 30MHz  
 Surge Discharge Ratings:  $I_n$ : 250A  
 Series Load Current: 10A  
 Enclosure: DIN 43880 2/3TE, DIN Rail Mount  
 Terminals: Stranded to 4 mm<sup>2</sup>  
 Housing: Modular Design  
 Compliance: IEC/EN 61643-21

The RayDAT SLL-4 has been developed to protect data transmission circuits or low voltage alarm circuits such as fire or security.

The unit provides fine protection using a high speed, bi-directional, silicon stage.

Where necessary, the RayDat SLL-4 may be used with a higher energy coarse protection unit such as the SUR-4-110 Series.

The plug-in module design facilitates replacement of a failure module without the need to remove system wiring.

If the module is unplugged out of the base, the connection lines remain enabled.

**Technical Data**

**SLL-4 Series**

**30V**

**Electrical**

Lines Protected		2 (4 Conductors)
Nominal Operating Voltage (DC)	$U_n$	30V
Maximum Continuous Operating Voltage (DC)	$U_c$	33V
Rated Load Current at 25°C	$I_L$	10A
C1 Nominal Discharge Current (8/20 μs)	$I_n$	250A
Residual Voltage at 5kA (8/20 μs)	(Line-Line) $U_{res}$	< 80V
Rated Spark Overvoltage	(Line-Line)	280-420V
	(Line-Ground)	35-44V
Response Time Overvoltage Protection	(Line-Line) $t_A$	< 1 ns
	(Line-Ground)	< 1 ns
Insulation Resistance of the Protection	(Line-Line) $R_{iso}$	≥ 33MΩ
	(Line-Ground)	≥ 33MΩ
Serial Resistance per Path	$R$	0.1Ω
Transverse Capacitance	(Line-Line) $C$	50pF
	(Line-Line)	50pF
Cut-off Frequency	$f_G$	30MHz

**Mechanical**

Temperature Range	-40 °C to +80 °C
Terminal Cross Section Multi-strand	4 mm <sup>2</sup> , 2.5 mm <sup>2</sup> Q Version
Terminal Screw Torque	0.5Nm
Degree of Protection IEC/EN 60529	IP 20
Housing Material	Thermoplastic; Grey; Extinguishing Degree V-0
Mounting IEC/EN 60715	35 mm DIN Rail

**Order Information**

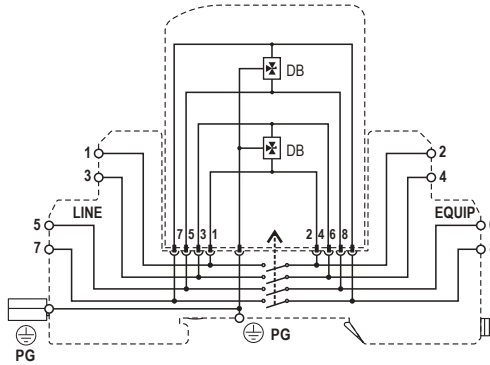
Order Code	<b>30V</b>
SLL-4-xx	7082.92
SLL-4-xxQ (Quick Connect Terminals)	7085.27
SLL-4-xxM (module)	7082.93

# RayDat SLL-4 Series

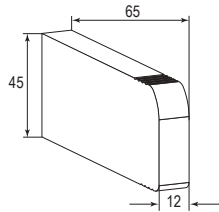
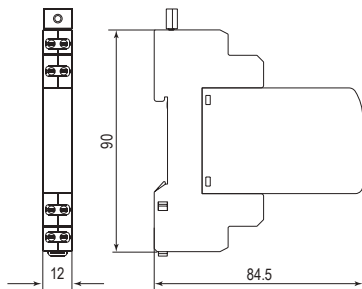
## Internal Configuration

### Legend

- DB Diode Block
- PG Protective Grounding



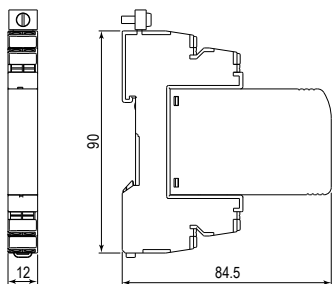
## Dimensions & Packaging



SLL-4 Series	30V
<b>Dimensions</b>	
Weight per Unit	56 g
Dimensions DIN 43880	2/3 TE
Packaging Dimensions (Single Unit)	87 x 15 x 102 mm
Minimum Package Quantity	15 pieces

SLL-4-xxM Series	30V
<b>Dimensions</b>	
Weight per Unit	22 g
Packaging Dimensions (Single Unit)	87 x 15 x 102 mm
Minimum Package Quantity	15 pieces

## Quick Connect Terminals



SLL-4-xxQ Series	30V
<b>Dimensions</b>	
Weight per Unit	58 g
Dimensions DIN 43880	2/3 TE
Packaging Dimensions (Single Unit)	87 x 15 x 102 mm
Minimum Package Quantity	15 pieces



Bases with Quick Connect Terminals enable faster installation and have built-in contacts to enhance vibration resistance.